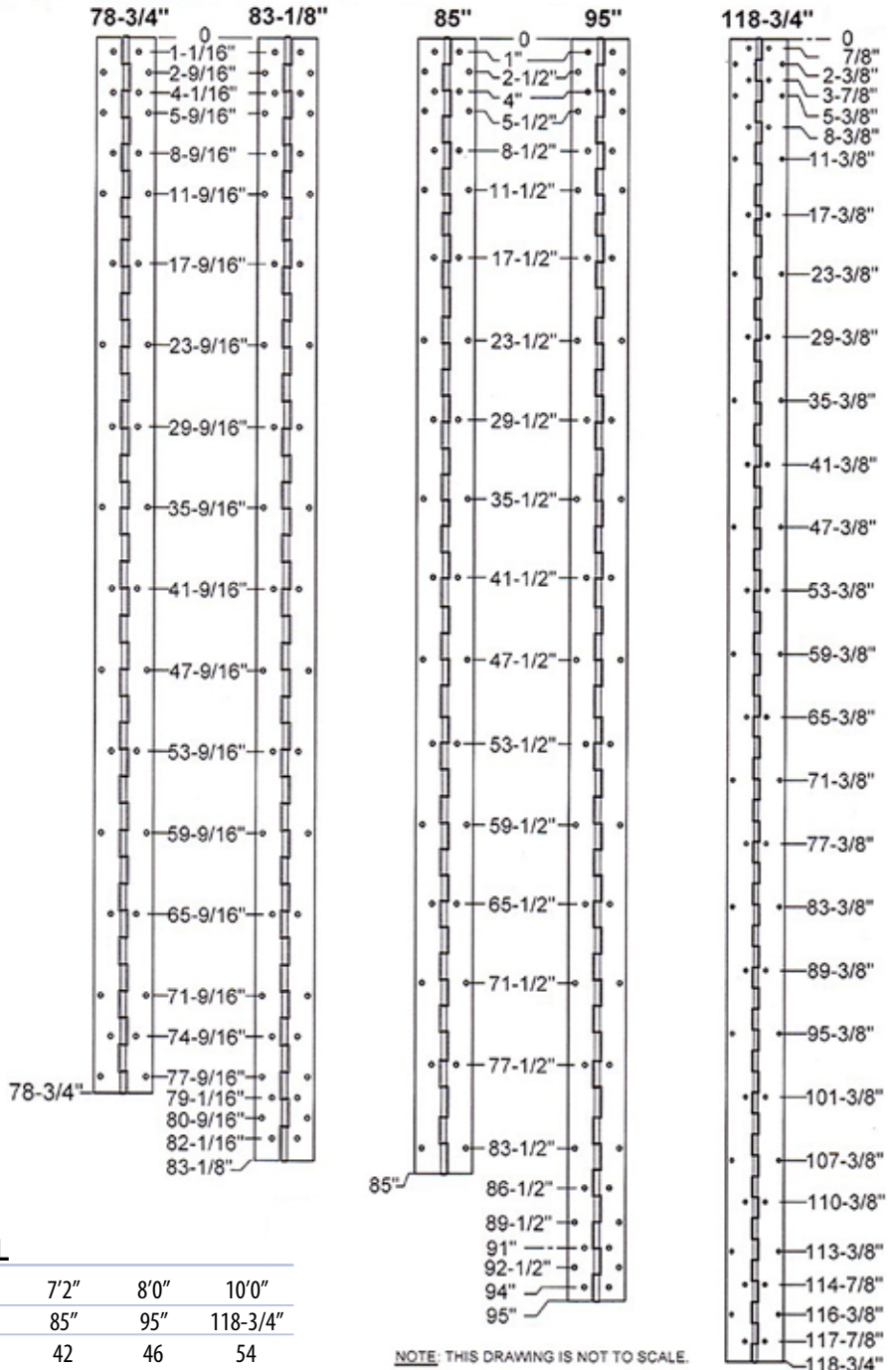
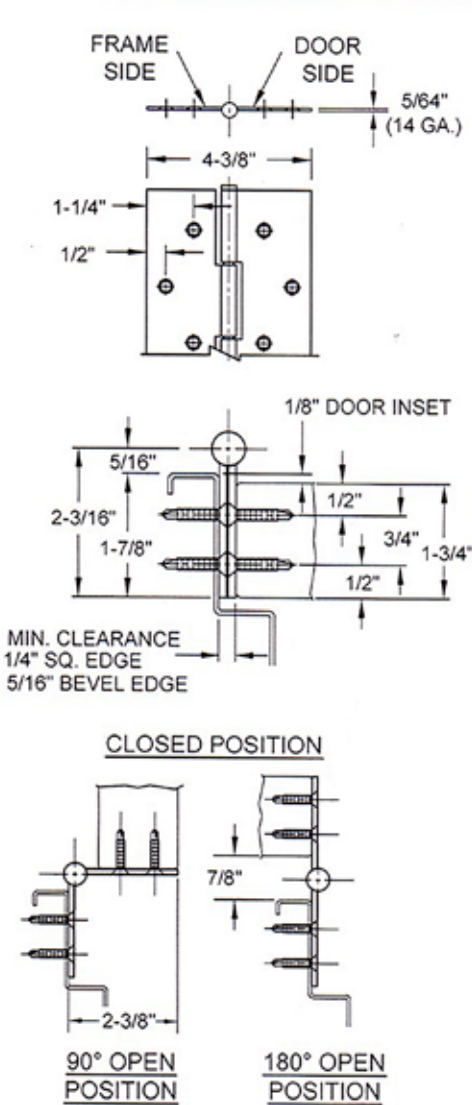


# Continuous Stainless Steel Concealed Hinge with Ligature Resistant Hospital Tip

#DH460



NOTE: Hinges cut to custom length are cut from the bottom. DH460 does not require handing when cut.

## STANDARD HINGE SIZES & SCREW DETAIL

Nominal door height	6'8"	7'0"	7'2"	8'0"	10'0"
Actual hung height	78-3/4"	83-1/8"	85"	95"	118-3/4"
10-24 x 7/8" Pin TorX undercut self drilling Tek Machine screw	42	42	42	46	54
#10 x 10-1/4" Pin TorX undercut sheet metal screw	42	42	42	48	54

NOTE: THIS DRAWING IS NOT TO SCALE.

