



# BEHAVIORAL SAFETY PRODUCTS

## SAFE → AESTHETIC → FUNCTIONAL

### LIGATURE RESISTANT METERING FAUCET

PATENT # US D635,386 #SF380/SAL-5100

### INSTALLATION, MAINTENANCE & OPERATION INSTRUCTIONS

**INSTRUCTIONS FOR MODELS**

**SF380/SAL-5100**



**CERTIFICATIONS & COMPLIANCES**



ASME 112.18.1/CSA B125.1  
CAAB1953 & NSF372

**NEED HELP?**

For additional assistance or service please contact:

Behavioral Safety Products  
29A North Main Street, Suite 3  
Watkinsville, GA 30677

706-705-1500  
www.besafepro.com

**NEED HELP?**

For additional assistance or service please contact:




**SPEAKMAN®** Company  
400 Anchor Mill Road  
New Castle, DE 19720

800-537-2107  
customerservice@speakman.com  
www.speakman.com



92-SAL-5100-R6

**TOOLS AND SUPPLIES**

Adjustable Wrench    Bit Driver    T25 Pin-In Torx Security Bit (Included)








Flat Tip Screwdriver    Aerator Wrench (Included)

**HELPFUL TOOLS & SUPPLIES:**

Supply Hoses    Safety Glasses    Tile Grout

**IMPORTANT**

- Do not over-tighten any connections or damage may occur.
- Be sure to read instructions thoroughly before beginning installation.
- This faucet has an operating range of 20-80 psi.
- This faucet should be mounted with its back adjacent to a wall. This product would not be safe if accessible from the back side. All plumbing under the sink is not ligature resistant and should be in a separate enclosure or cabinet (not supplied).

**SAFETY TIPS**

Cover your drain to prevent loss of parts. Be sure to wear eye protection while cutting pipe.

**IMPORTANT**

Metering Faucets are very sensitive to impurities within a water supply that may lead to poor performance or malfunction.

This faucet's two copper Inlet Tubes contain Mesh Screen Filters. These filters should be cleaned periodically to prevent clogging of the filters which can cause poor performance of the faucet.

If you are in an area with poor water quality, it is recommended to install a secondary in-line filtration system. This in-line filtration system should be installed upstream (before) the inlets of the Metering Faucet.

**MAINTENANCE**

Your new Speakman Product is designed for years of trouble-free performance. Keep it looking new by cleaning it periodically with a soft cloth. The use of harsh chemicals and abrasives on any of the Speakman custom finish products may damage the finish and void the product warranty. Please be sure to only use approved cleaners. Please contact Speakman for any clarification of acceptable cleaners.

**WARRANTY**

Additional warranty information can be found at: [www.speakman.com](http://www.speakman.com)

**WAIVER AND DISCLAIMER**

This waiver-disclaimer is attached to and made part of the written contract to purchase these products for use in psychiatric and correctional facilities. Such fixtures and products are purchased to reduce the risk of self-imposed death or injury to patients or clients in such facilities, but are NOT represented as able to prevent such death or injury.

Behavioral Safety Products, LLC ("BSP") as the seller and Speakman Company as the manufacturer of these products have not, and will not represent or warrant to the purchaser shown in this contract ("Purchaser") that its fixtures and products will prevent death or injury in any case whatsoever.

BSP and Speakman Company make no expressed or implied warranty with respect to the preventative quality of its products, but merely represents that the use of such products tends to reduce deaths and injuries by patients or clients who are subject to meticulous screening processes and diligent supervision on the part of the facility housing them.

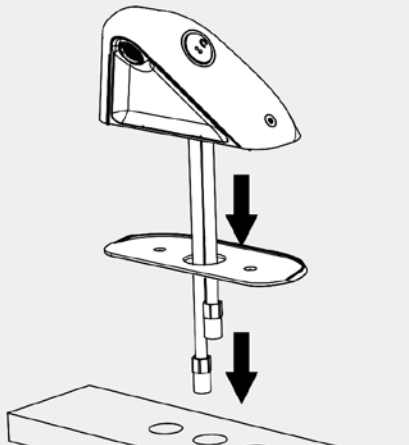
Purchaser acknowledges the foregoing disclaimer and waives any and all claims against BSP and Speakman Company as to expressed or implied warranties of fitness for any purpose whatsoever.

CONTINUED

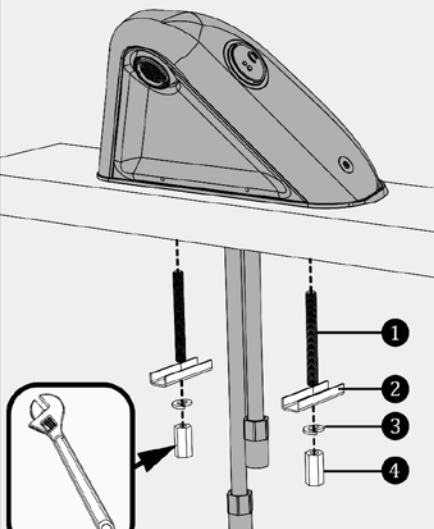
LIGATURE RESISTANT METERING FAUCET

#SF380, CONTINUED, 2 OF 5

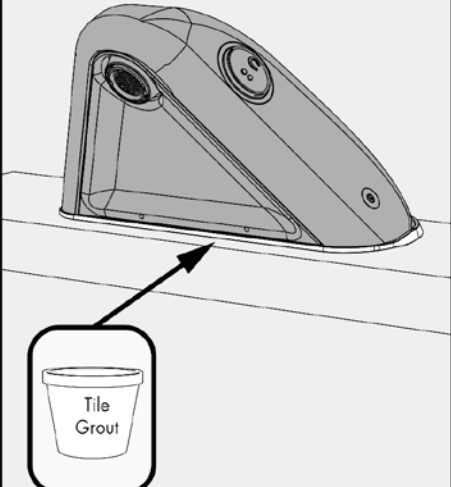
**1** Shut off water supplies. Remove old faucet. Clean mounting surface in preparation for installation of new Faucet. Place faucet supply lines through base gasket, and guide them through hole in mounting surface. Place faucet and base gasket into final mounting position, being sure the mounting gasket is perfectly flush to the mounting surface.



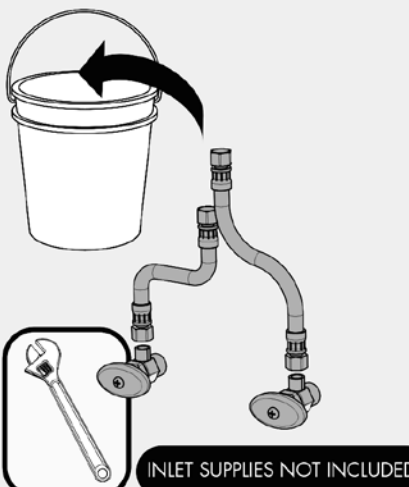
**2** Thread Mounting Studs (1) into base of faucet. Slide Retaining Washers (2) and Lock Washers (3) over mounting stud, and secure Faucet to counter with Mounting Nuts (4).



**3** Inspect area between the base of the faucet and the mounting surface. If any gaps remain after tightening faucet, fill them with tile grout.



**4** Make flexible hose connections to supply valves. Inlet supply flexible hoses and valve stops are not included. Place free ends of hoses into a bucket. Turn on water supplies for one (1) minute to flush debris from the system.



**INLET SUPPLIES NOT INCLUDED**

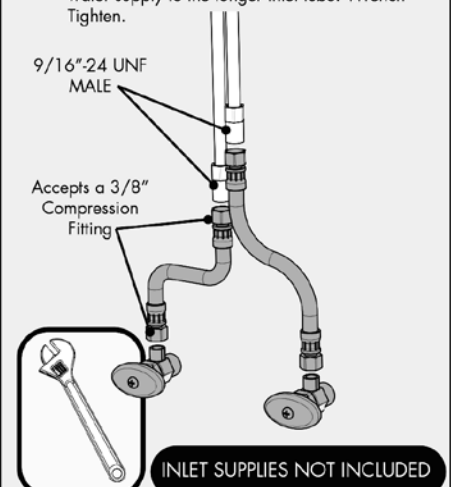
**IMPORTANT**

Metering Faucets are very sensitive to impurities within a water supply that may lead to poor performance or malfunction.

This faucet's two copper Inlet Tubes contain Mesh Screen Filters. These filters should be cleaned periodically to prevent clogging of the filters which can cause poor performance of the faucet.

If you are in an area with poor water quality, it is recommended to install a secondary in-line filtration system. This in-line filtration system should be installed upstream (before) the inlets of the Metering Faucet.

**5** Make connections to water supplies. The inlet threads of the faucet are 9/16"-24 UNF and will accept a 3/8" Compression Fitting. Apply Thread Seal Tape to the threads of the inlet tubes. Your COLD water supply should be connected to the shorter inlet tube, and the HOT water supply to the longer inlet tube. Wrench Tighten.

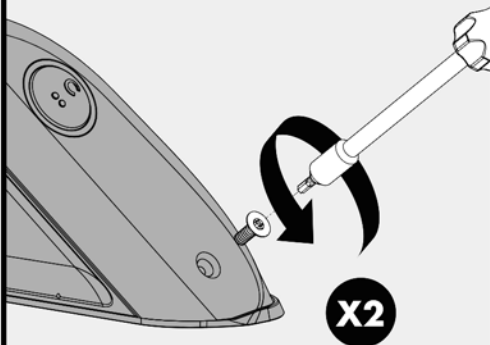


**INLET SUPPLIES NOT INCLUDED**

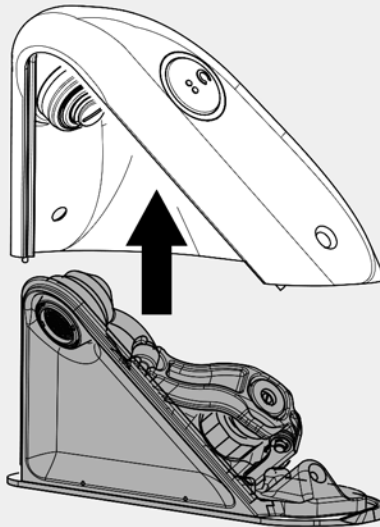
CONTINUED

**TIMING ADJUSTMENT 1**

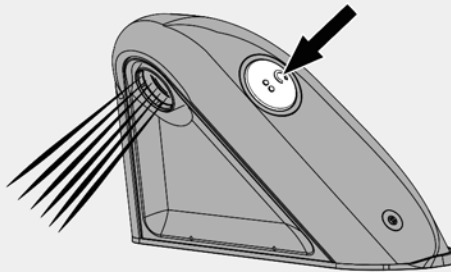
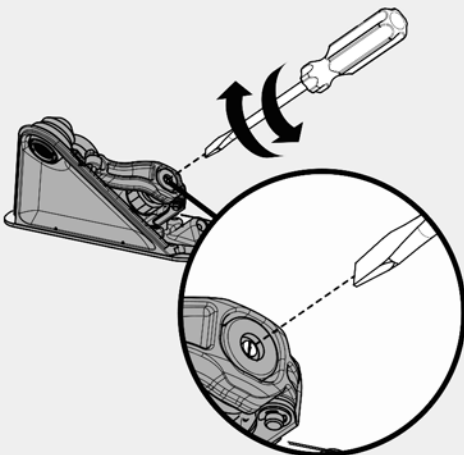
The spray timing is pre-adjusted at the factory. However, due to different field conditions, this adjustment may need to be modified at the time of installation. Begin by removing the two (2) Pin In Torx Screws from the cover using the supplied T25 Pin In Torx bit in conjunction with a Bit Driver.

**TIMING ADJUSTMENT 2**

Remove cover assembly from faucet and place aside.

**TIMING ADJUSTMENT 3**

Using a Flat Tip Screwdriver, either thread in or out the end screw of each metering cartridge to adjust the duration of the spray timing. **IMPORTANT: Do NOT screw more than 1 complete rotation in either direction or damage may occur.** Replace cover and press activation button to test spray duration. Once proper timing is achieved replace and secure the cover assembly to the faucet.

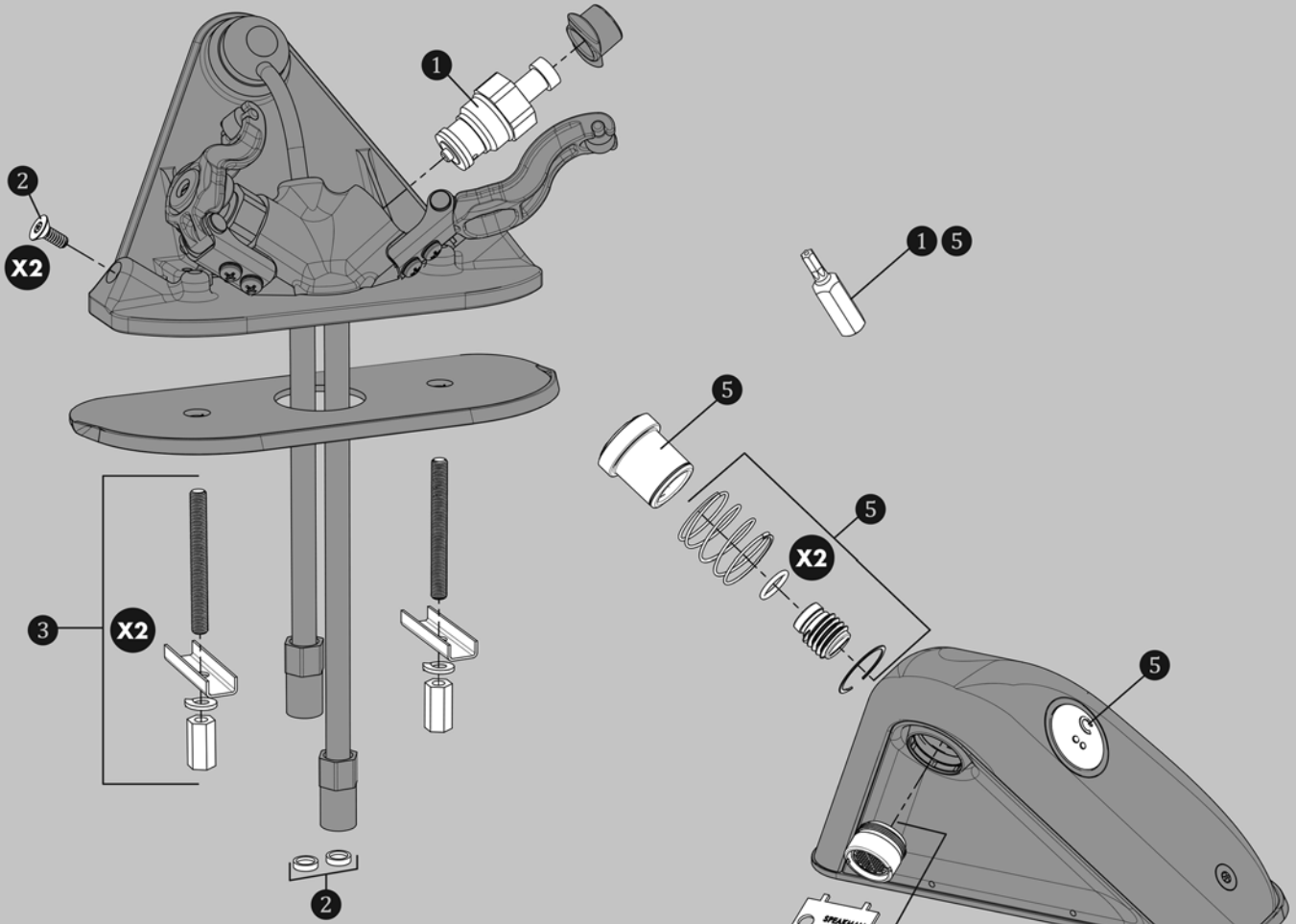


¼ CLOCKWISE = 8-10 SECONDS ADDITIONAL FLOW  
¼ COUNTER CLOCKWISE = 2-3 SECONDS LESS FLOW

CONTINUED

**SF380/SAL-5100 REPAIR PARTS**

**SPEAKMAN**

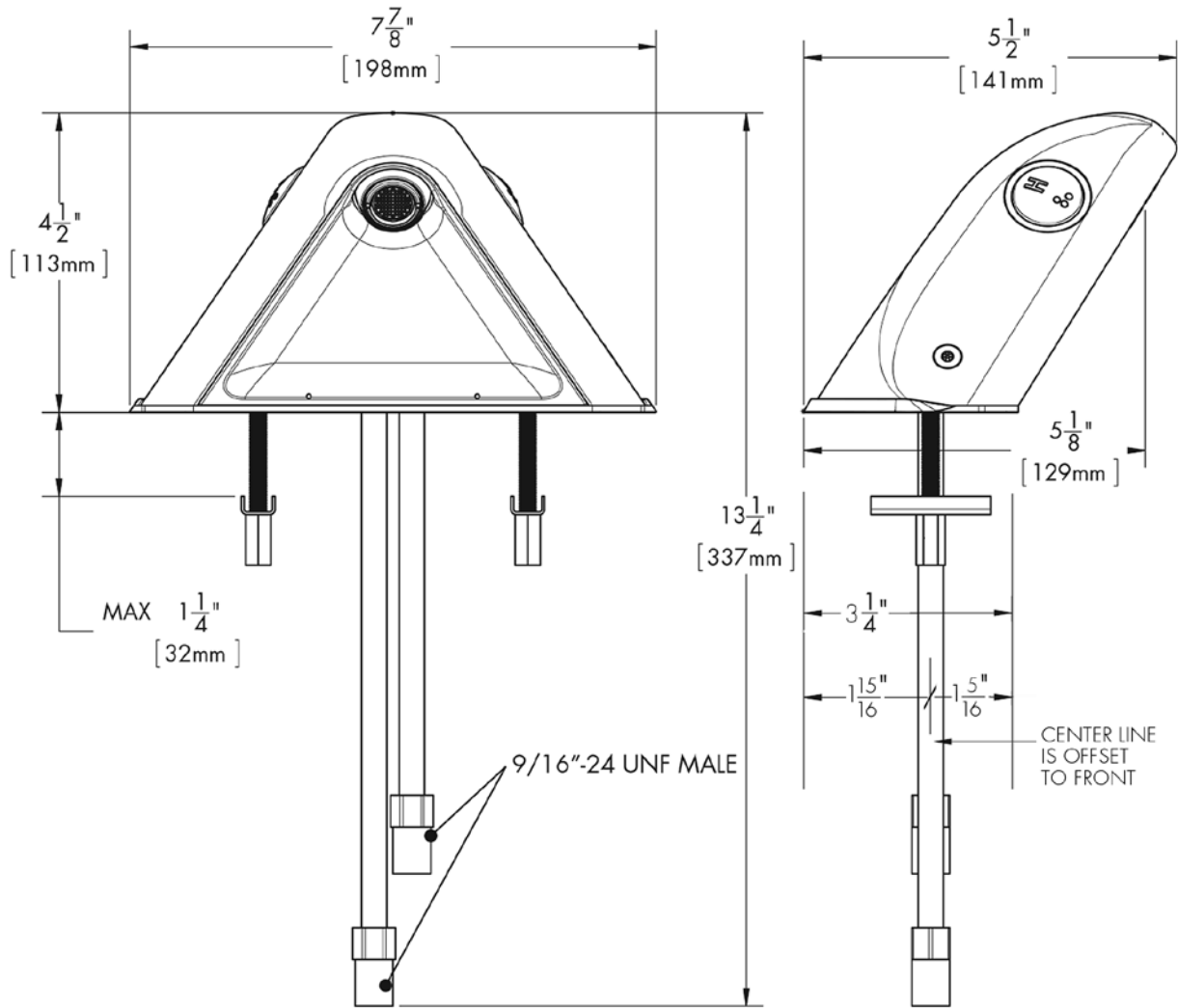


ITEM NO.	PART NO.	DESCRIPTION
1	RPG05-0932	REPLACEMENT METERING CARTRIDGE
2	RPG48-0048	INLET FILTER SCREENS (2) AND VANDAL RESISTANT SCREWS (2)
3	RPG66-0193	MOUNTING HARDWARE
4	G05-0669-PC	0.5 GPM BOCA OUTLET WITH KEY
5	RPG48-0047	REPLACEMENT ACTIVATION BUTTON ASSEMBLIES (BOTH HOT & COLD)

CONTINUED

**SF380/SAL-5100 ROUGH-IN DIAGRAM**

**SPEAKMAN®**



DIMENSIONS SUBJECT TO CHANGE WITHOUT NOTICE.