



BEHAVIORAL SAFETY PRODUCTS

SAFE → AESTHETIC → FUNCTIONAL

LIGATURE RESISTANT SOLID SURFACE LAVATORY
INSTALLATION, MAINTENANCE AND OPERATING INSTRUCTIONS

#ET720



OVERVIEW

This new solid surface sink and trap cover is the latest complement to our line. The new BSP engineered sink is fashioned to meet the latest behavioral standards of ligature and aesthetic design. During its development phase, BSP made countless design changes to create a state of the art ligature resistant sink that is aesthetically pleasing, functional, and durable. The sloped sides and back splash deter ligature, and its robust mounting bracket is ideal for both retrofit and new design. It easily replaces other sinks (or can be used in new installations) and is designed to support additional weight by interlocking our companion trap cover with the sink. It accepts all standard faucets as well as our patented BSP faucets. Comes standard with ligature resistant trap cover and all mounting hardware. It is available in a number of standard popular colors (please see color selection sheet).

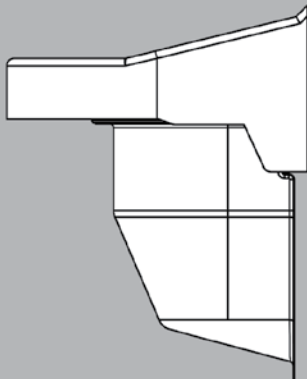
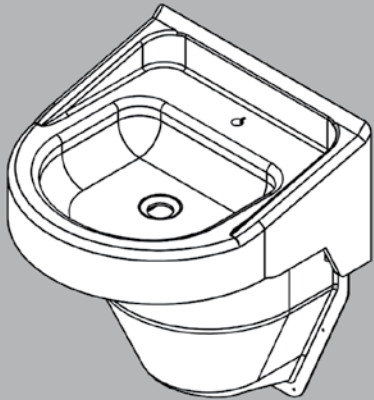
CERTIFICATIONS & COMPLIANCES



ADA Compliant



INSTRUCTIONS FOR MODELS



NEED HELP?

For additional assistance or service please contact:

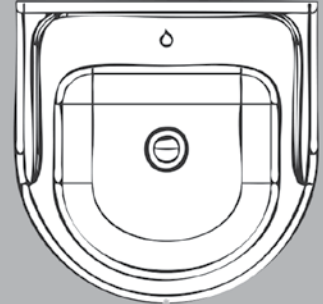
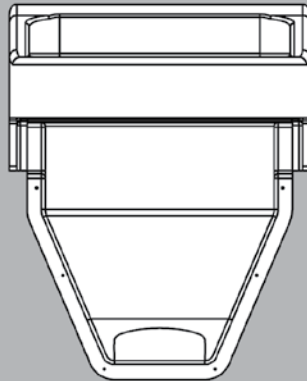
Behavioral Safety Products
29A North Main Street, Suite 3
Watkinsville, GA 30677



706.705.1500



www.besafepro.com



⚠ WAIVER & DISCLAIMER ⚠

This waiver disclaimer is attached to and made part of the written contract to purchase these products for use in psychiatric and correctional facilities. Such fixtures and products are purchased to reduce the risk of self imposed death or injury to patients or clients in such facilities, but are NOT represented as able to prevent such death or injury.

Behavioral Safety Products, LLC ("BSP") as the seller of these products have not, and will not represent or warrant to the purchaser shown in this contract ("Purchaser") that its fixtures and products will prevent death or injury in any case whatsoever.

BSP makes no expressed or implied warranty with respect to the preventative quality of its products, but merely represents that the use of such products tends to reduce deaths and injuries by patients or clients who are subject to meticulous screening processes and diligent supervision on the part of facility housing them.

Purchaser acknowledges the foregoing disclaimer and waives any and all claims against BSP and as to expressed or implied warranties of fitness for any purpose whatsoever.

TOOLS & SUPPLIES

- Level 2ft or longer
- Pencil/marker
- Dry wall cutter
- Cordless drill
- Small crescent wrench
- 3/8" ratchet with 9/16" deepwell socket

CONTINUED



STEP BY STEP INSTRUCTIONS

The BSP sink is designed for maximum strength and stability. The extra heavy duty mounting plate is designed to fasten directly onto blocking in the wall so there is no “guessing” as to whether you are anchoring into the blocking properly.

- 1** The optimum ADA install height for the rim of the sink is usually 34” however it’s always good to check your local code. (If the previous sink was at a lower position then you may need to raise the waste and supply to the ADA height) If you determine that 34” is the height you want to use, center the backing plate (the one with studs) over the waste. Set the height of the top of the bracket at 34-1/2” and mark the wall around the perimeter with a pencil or marker.
- 2** Cut and remove gypsum board from the marked area down to the studs so the plate can fit against the studs.
- 3** Install blocking as necessary between studs. Full 2x6 fire-treated wood is recommended. Heavy sheet metal blocking may be used, however be sure to use appropriate fasteners.

4 Hold the backing plate in place being sure it is level and install with screws provided or appropriate screws for your blocking. We recommend at least four screws on the top line and two on the bottom.

5 Hold the sink over the exposed 3/8” studs, place cover plate over the sink back, install flat washers, lock washers and nuts. (*Caution –do not over tighten 3/8” nuts, only compress lock washers-Over tightening could pull the blocking out of the wall*)

6 Install drain/trap/faucet and related plumbing components.

7 Install the trap cover to the bottom of the sink using the small machine screws.

8 Mark the holes through the trap cover on the wall. Remove the trap cover and install the screw-in wall anchors in the drywall.

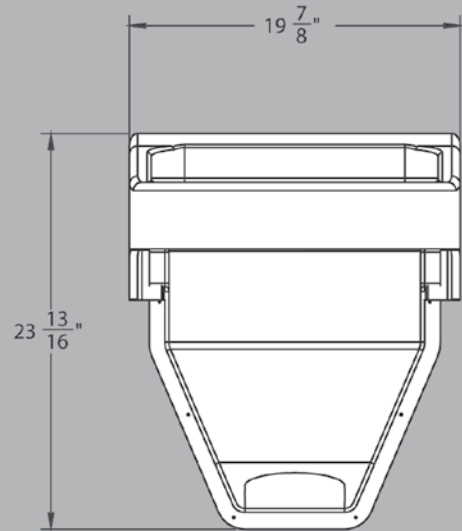
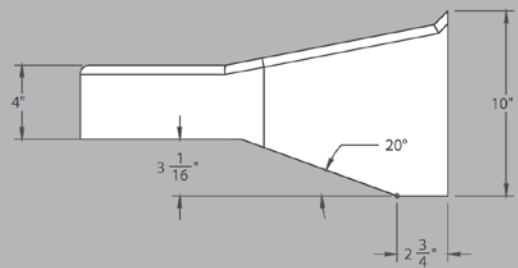
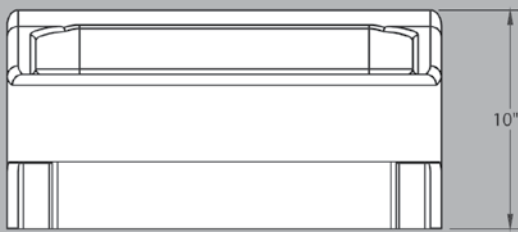
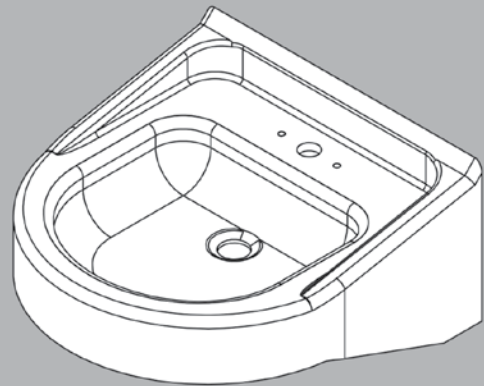
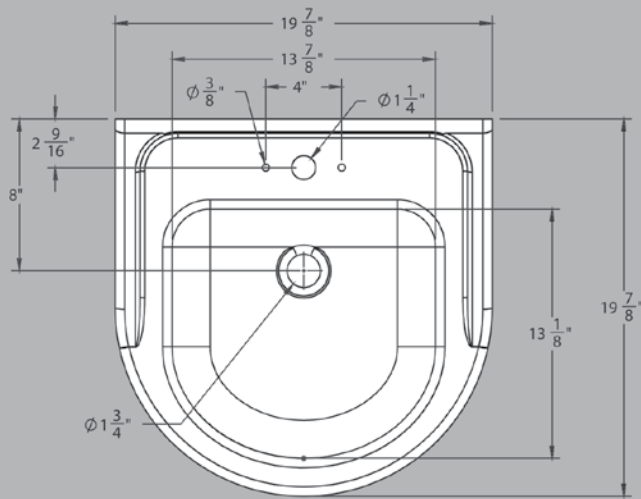
9 Reinstall the trap cover with the screws in the sink and then the screws in the wall.

The install is complete. We also recommend using a pick free caulk to caulk the sink to the wall.

CONTINUED



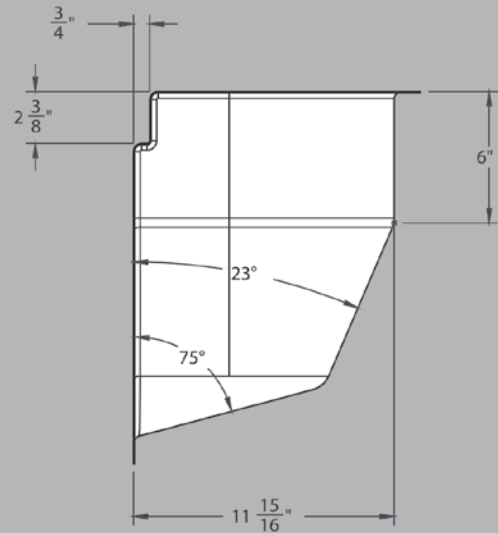
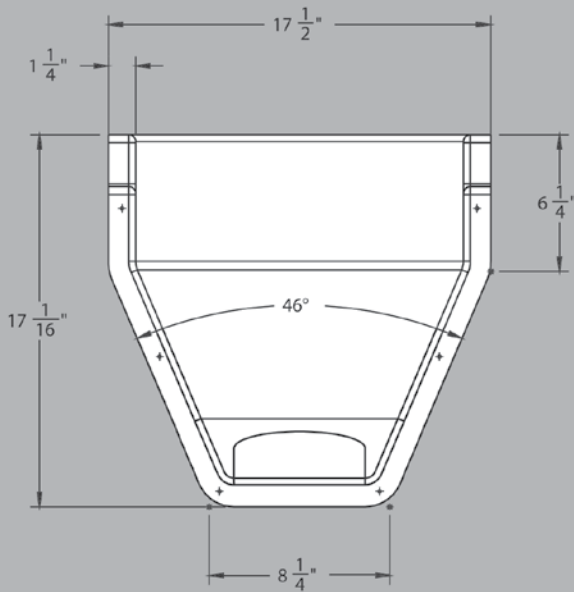
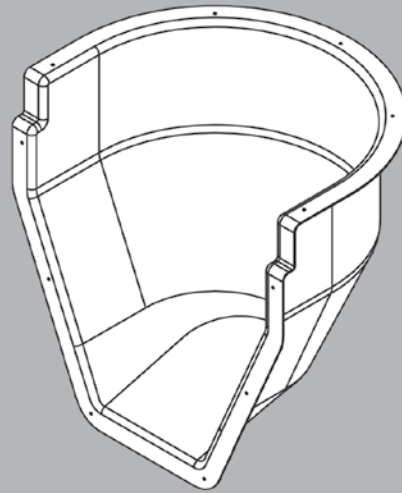
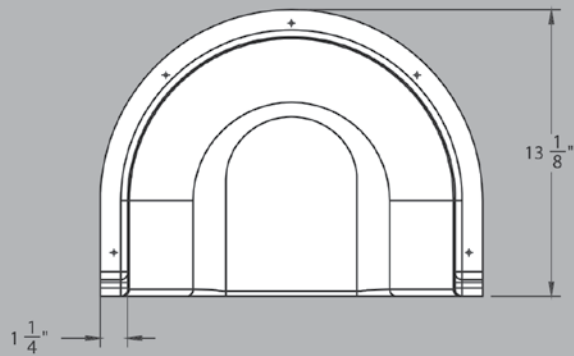
SINK & DIMENSIONS



CONTINUED

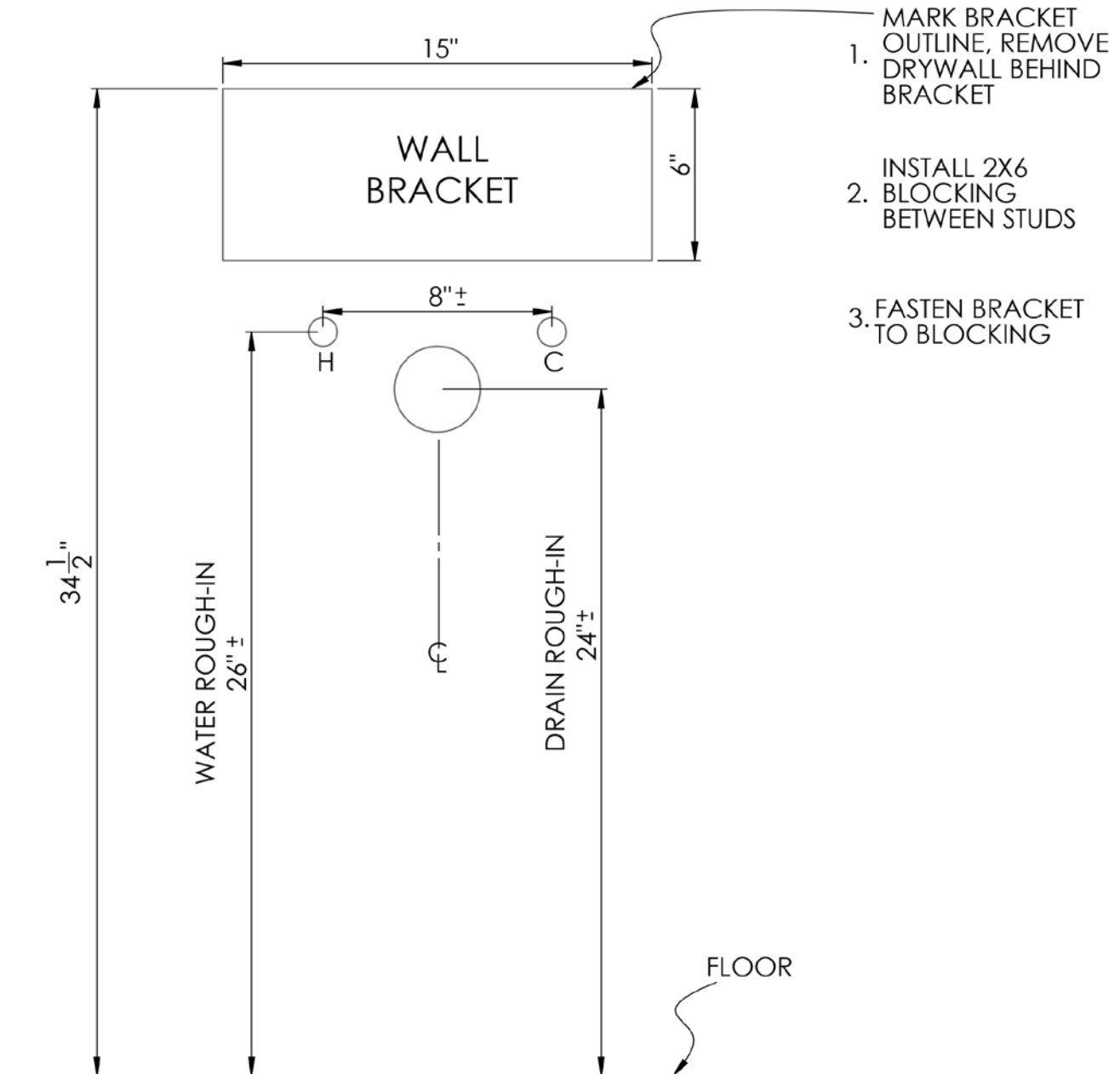


TRAP COVER & DIMENSIONS



CONTINUED

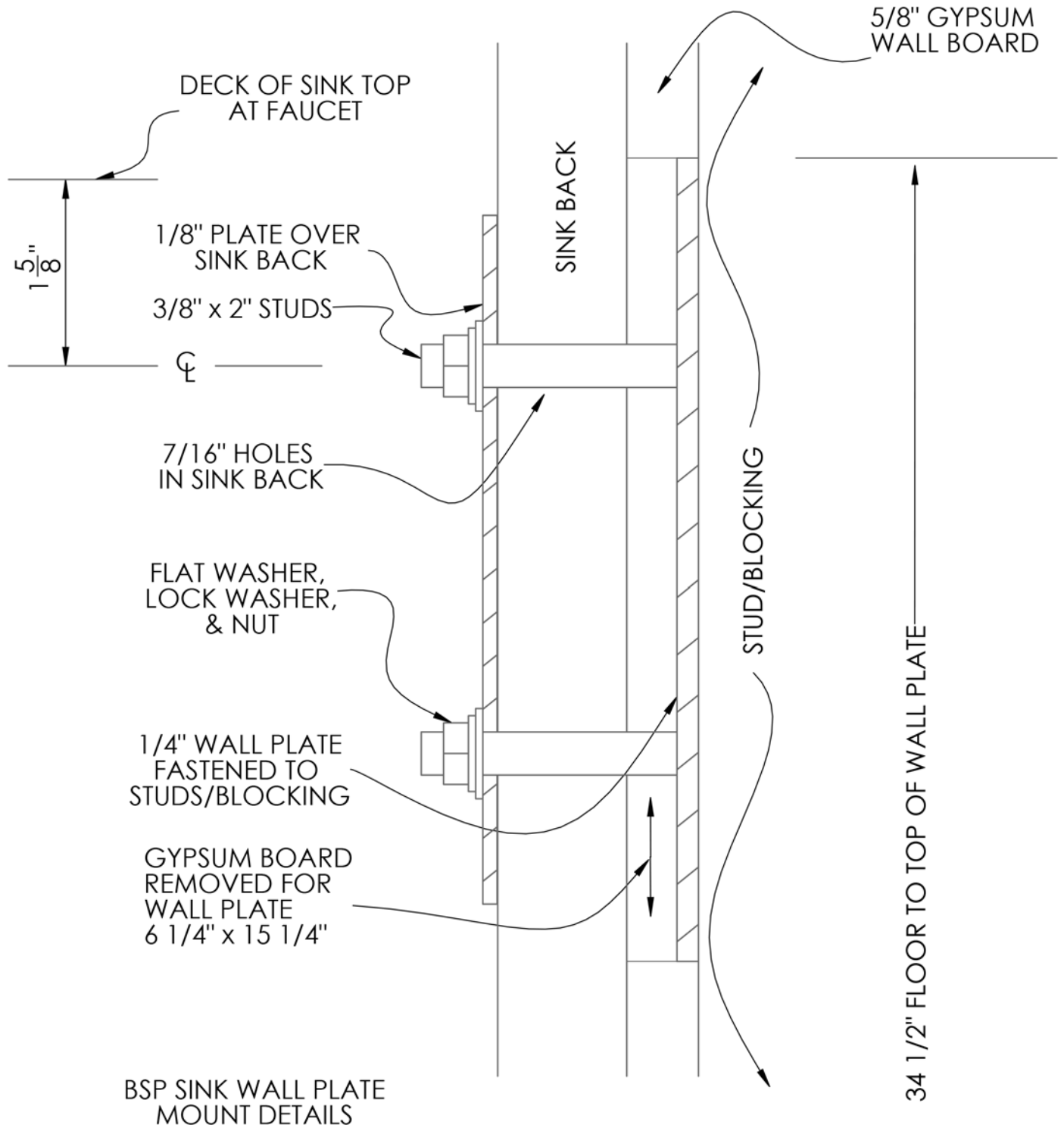
WALL ROUGH-IN DETAILS

ADA BSP SINK ROUGH-IN
DRAIN, SUPPLY, & BRACKET

CONTINUED



WALL BRACKET ROUGH-IN DETAILS



CONTINUED



FASTENER KIT BREAKDOWN (INCLUDED)

10 #10 - 12x2" phillips



Fasten backing plate to blocking/studs

5 3/8" flat washer



Over cover plate

5 3/8" lock washer



Over flat washer

5 3/8" nuts



Over lock washer
CAUTION: Do not over tighten, flatten lock washer ONLY!

6 #8 - 32x1/2" ss button head with security bit



Trap cover to sink

6 Ez dry wall anchors



Insert into drywall to hold trap cover

6 #8x1" button head with security bit



Trap cover to drywall

CONTINUED



INCLUDED ITEMS WITH PURCHASE

- 1. Sink**
- 2. Trap Cover**
- 3. Back Plate Bracket with
Welded Studs & Cover Plate**
- 4. Fasteners**
- 5. (2) Security - Bits**
- 6. High Flow Ligature Resistant
Drain/Tail Piece**